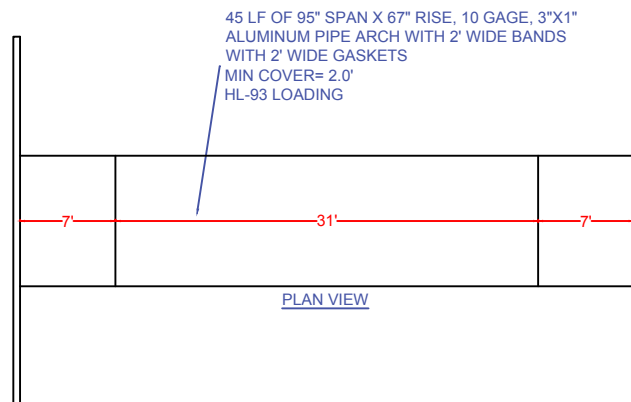
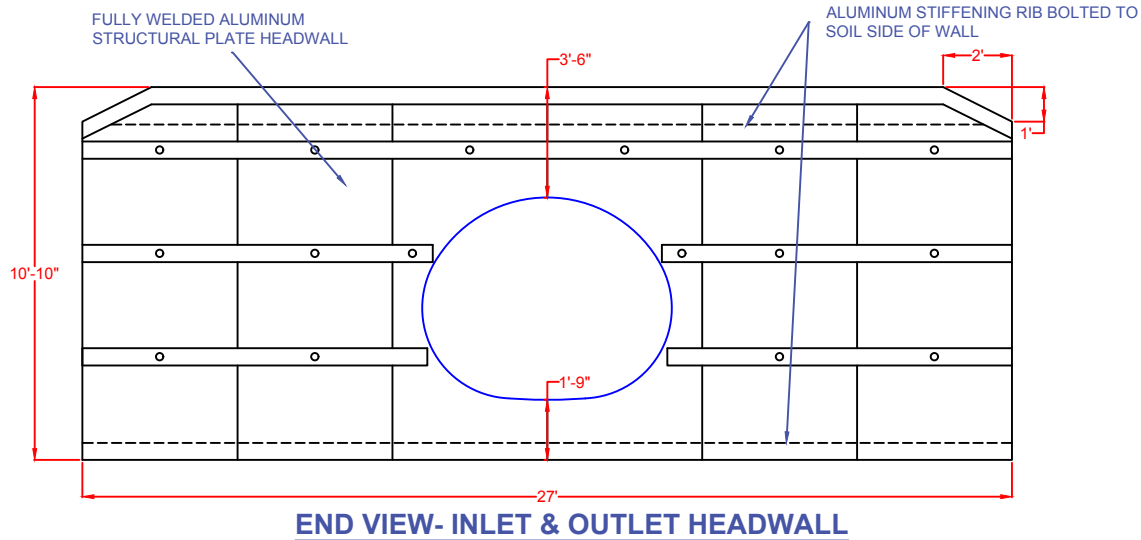


PROPOSED ELEVATIONS:

TOP ϵ ROAD = 100.00
 TOP OF HW = 98.75
 TOP OF PIPE = 95.75
 INV. STREAM = 90.50
 INV. OF PIPE = 89.50

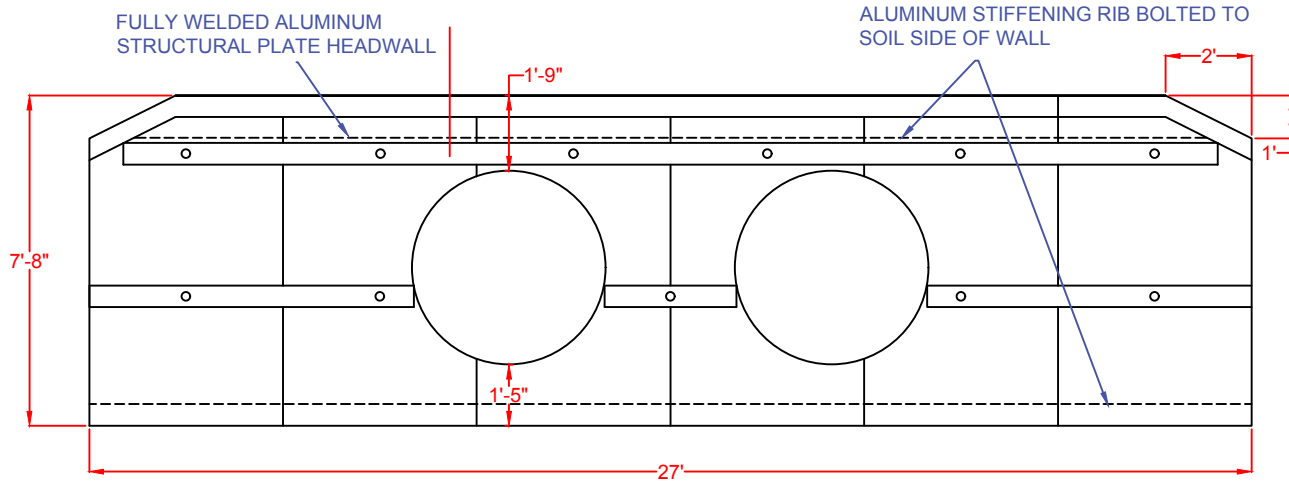
DESCRIPTION	
<p>NC DOT JOHNSTON CO PINE LEVEL-MICRO ROAD SR 2309 SITE 17</p>	
<p>FIRM: POMONA PIPE PRODUCTS 4611 DUNDAS DR. GREENSBORO, NC 27407 336-292-8060</p>	
<p>PROJECT:</p>	
<p>DATE: NOV 11, 2016</p>	<p>SHEET</p>
<p>NOT TO SCALE</p>	



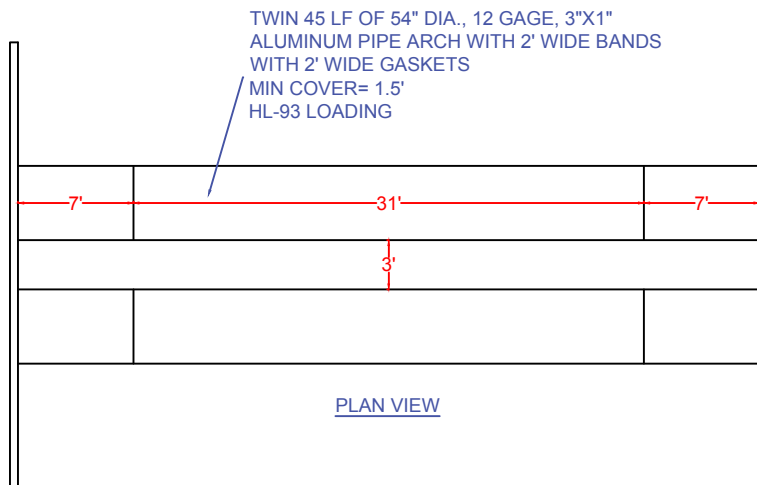
PROPOSED ELEVATIONS:

TOP ϵ ROAD = 100.00
 TOP OF HW = 98.58
 TOP OF PIPE = 95.08
 INV. STREAM = 90.50
 INV. OF PIPE = 89.50

DESCRIPTION	
<p>NCDOT JOHNSTON CO BATTEN FARM ROAD SR 2363 SITE #18</p>	
<p>FIRM: POMONA PIPE PRODUCTS 4611 DUNDAS DR. GREENSBORO, NC 27407 336-292-8060</p>	
PROJECT:	
DATE: NOV 11, 2016	SHEET
NOT TO SCALE	



END VIEW- INLET & OUTLET HEADWALL

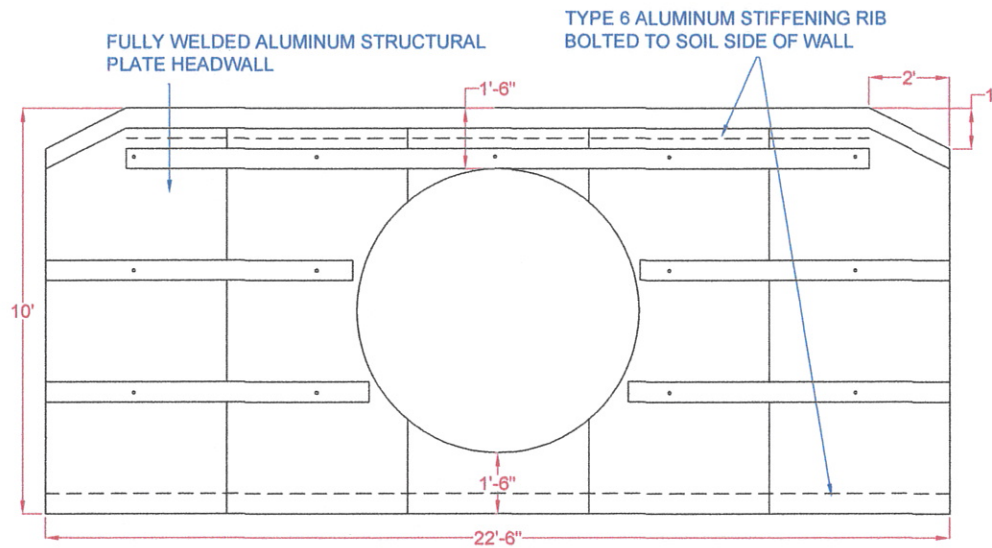


PLAN VIEW

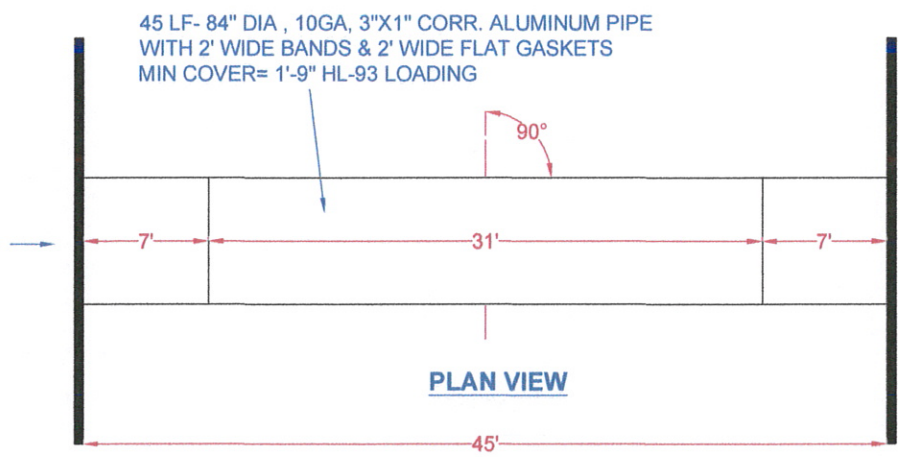
PROPOSED ELEVATIONS:

TOP ϵ ROAD = 100.00
 TOP OF HW = 98.58
 TOP OF PIPE = 96.83
 INV. STREAM = 93.33
 INV. OF PIPE = 92.33

DESCRIPTION	
<p>NCDOT JOHNSTON CO HICKORY CROSSROADS SR2344 SITE 40</p>	
FIRM: POMONA PIPE PRODUCTS 4611 DUNDAS DR. GREENSBORO, NC 27407 336-292-8060	
PROJECT:	
DATE: NOV 11, 2016	SHEET
NOT TO SCALE	



END VIEW- INLET & OUTLET HEADWALL

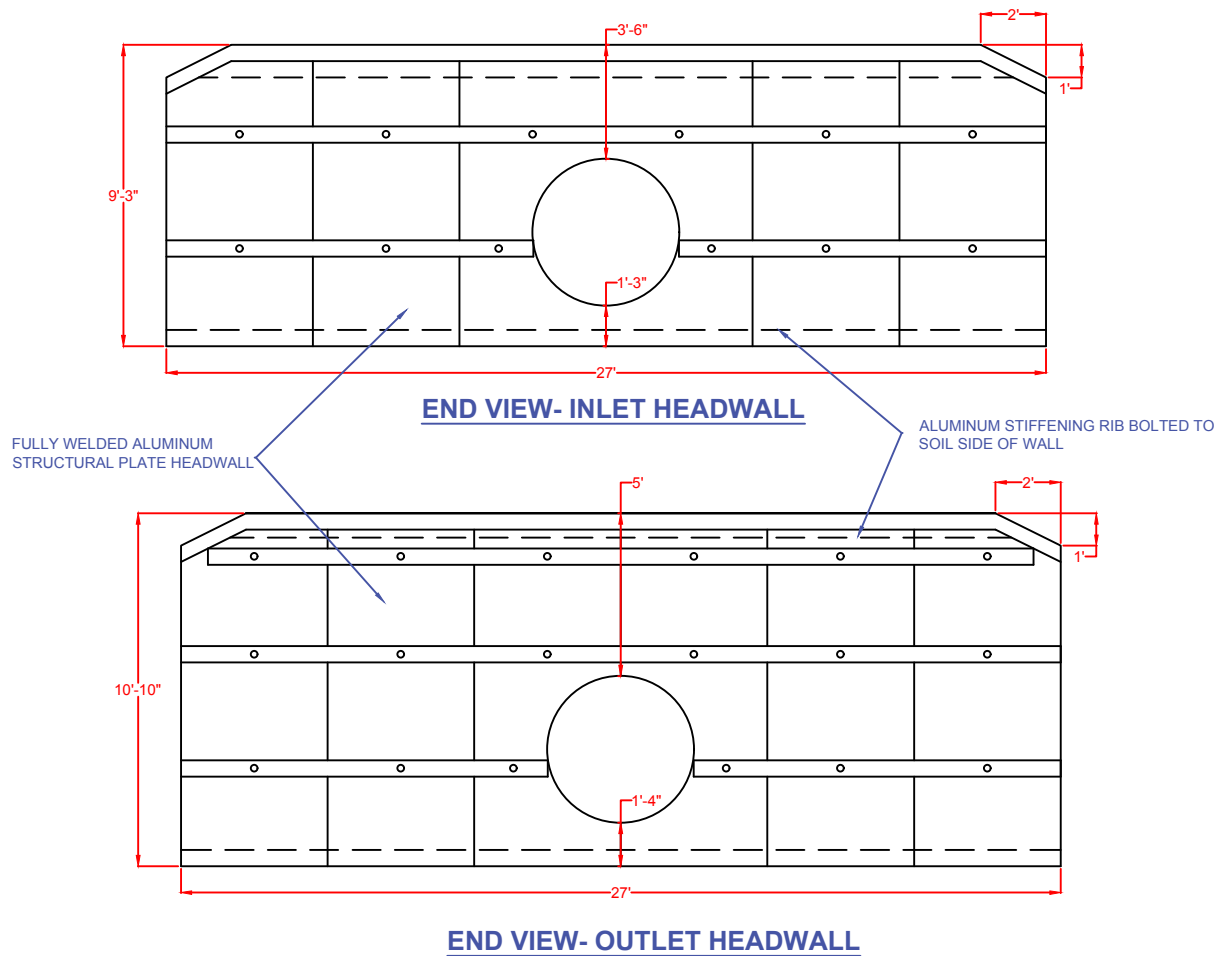


PLAN VIEW

PROPOSED ELEVATIONS:

- TOP ϵ ROAD= 100.00
- TOP HW= 99.00
- TOP PIPE= 97.50
- INV. STREAM= 91.50
- INV. PIPE= 90.50

DESCRIPTION	
<p>NCDOT- JOHNSTON CO SR-1575 BENNY RD SITE# 51</p>	
FIRM:	
PROJECT:	
DATE: NOV 28, 2016	SHEET
NOT TO SCALE	



DESCRIPTION

NCDOT JOHNSTON CO
 GRABTOWN ROAD
 SR 2543
 SITE 76

FIRM:
 POMONA PIPE PRODUCTS
 4611 DUNDAS DR.
 GREENSBORO, NC 27407
 336-292-8060

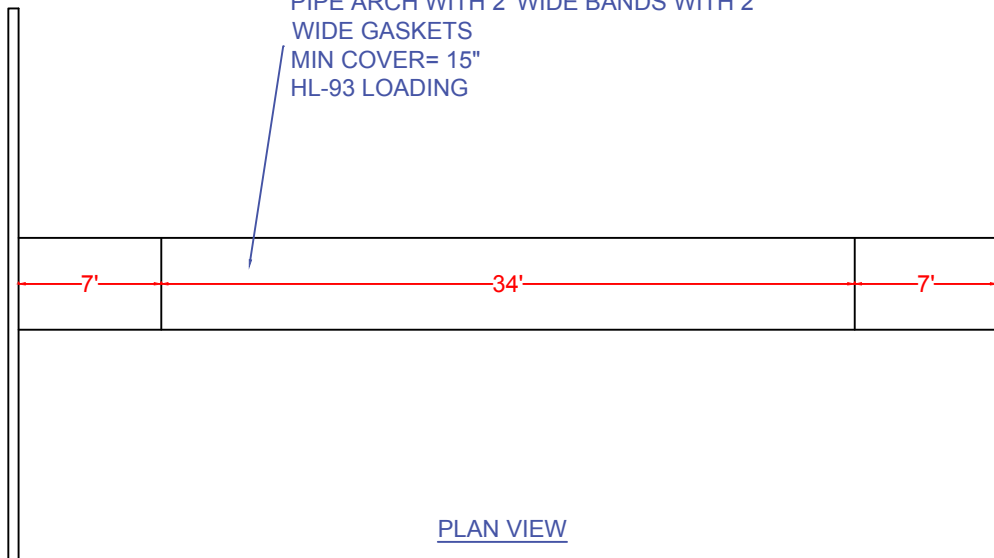
PROJECT:

DATE:
 NOV 14, 2016

SHEET

NOT TO SCALE

48 LF OF 54" DIA., 12 GAGE, 3"X1" ALUMINUM
 PIPE ARCH WITH 2' WIDE BANDS WITH 2'
 WIDE GASKETS
 MIN COVER= 15"
 HL-93 LOADING



PLAN VIEW

PROPOSED ELEVATIONS:

EDGE OF PAVEMENT OUTLET= 100.00
 EDGE OF PAVEMENT INLET = 99.00
 TOP OF HW INLET= 98.00
 TOP OF HW OUTLET = 98.50
 TOP OF PIPE INLET = 94.50
 TOP OF PIPE OUTLET = 93.50
 INV. STREAM = 90.00
 INV. OF PIPE INLET= 90.00
 INV. OF PIPE OUTLET = 89.00

DESCRIPTION

NCDOT JOHNSTON CO
 GRABTOWN ROAD
 SR 2543
 SITE 76

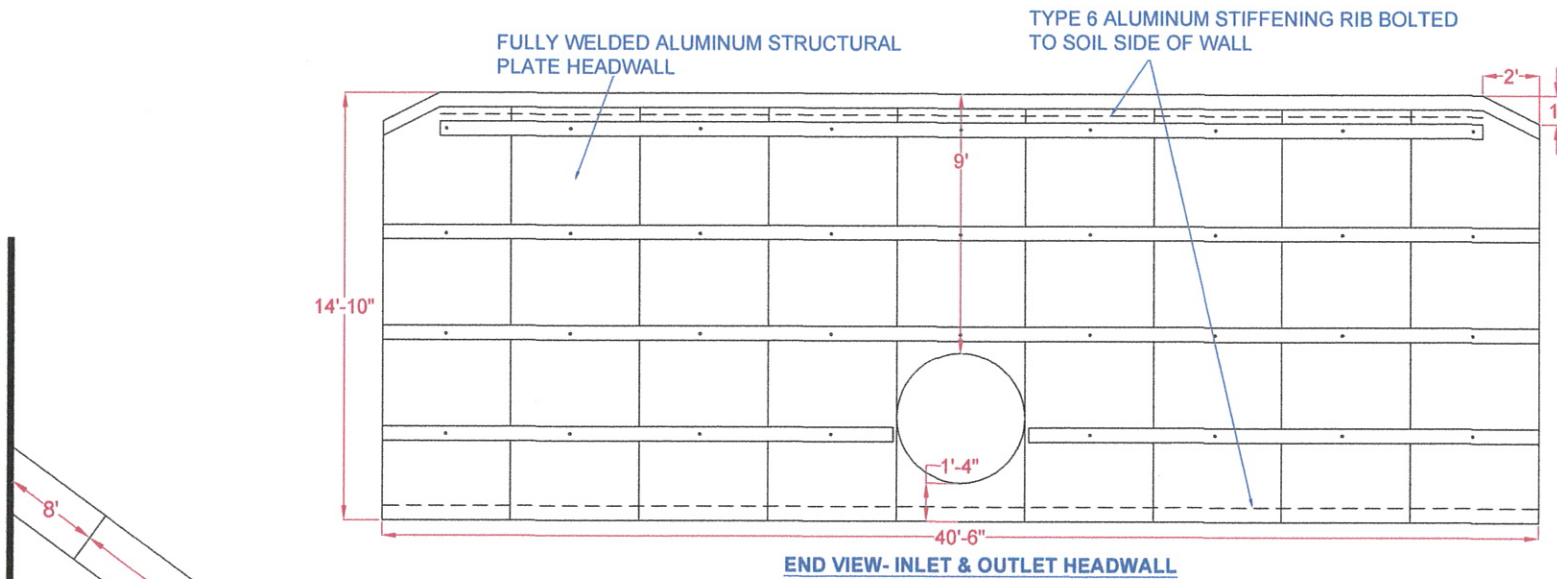
FIRM:
 POMONA PIPE PRODUCTS
 4611 DUNDAS DR.
 GREENSBORO, NC 27407
 336-292-8060

PROJECT:

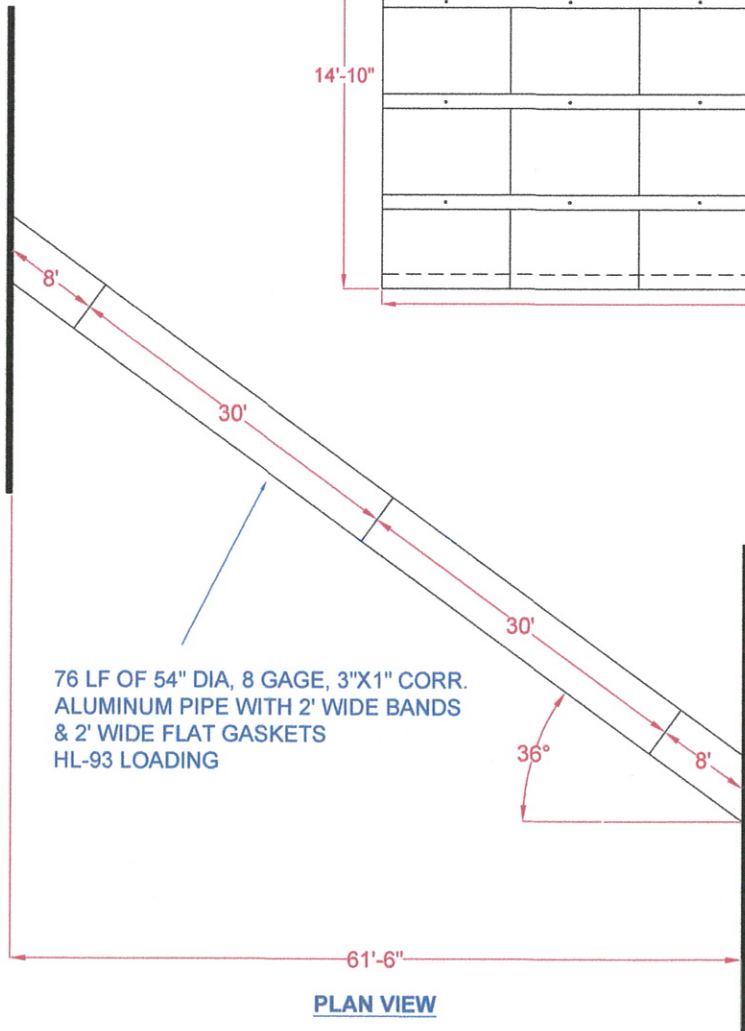
DATE:
 NOV 14, 2016

SHEET

NOT TO SCALE



END VIEW- INLET & OUTLET HEADWALL



PLAN VIEW

PROPOSED ELEVATIONS:

- TOP ϵ ROAD= 100.00
- TOP HW= 94.50
- TOP OF PIPE= 85.50
- * INV STREAM= 82.00
- * INV PIPE= 81.00

* ESTIMATED ELEVATIONS

DESCRIPTION

NCDOT JOHNSTON CO
 SR-1331 FEDERAL RD
 SITE #88

FIRM:

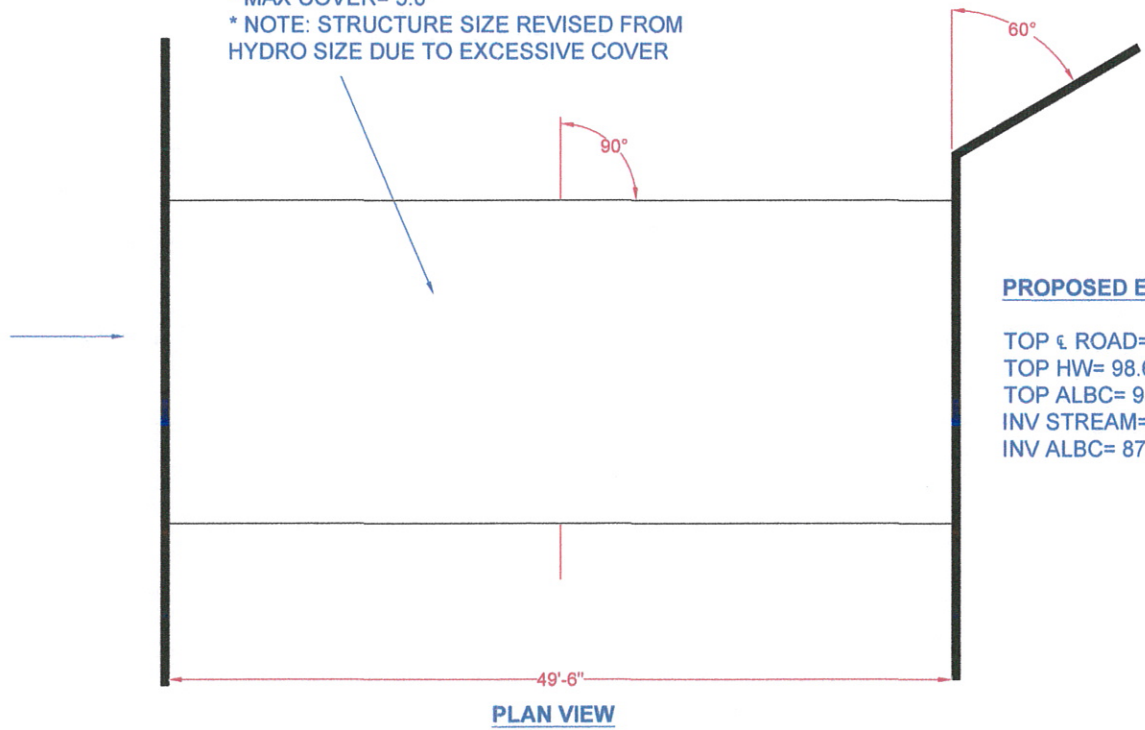
PROJECT:

DATE:
 NOV 30, 2016

SHEET

NOT TO SCALE

49'-6" OF #46-L2 ALUMINUM BOX CULVERT
 (20'-3" SPAN X 8'-5" RISE) WITH FULL INVERT
 HL-93 LOADING
 MIN COVER= 1.4'
 * MAX COVER= 5.0'
 * NOTE: STRUCTURE SIZE REVISED FROM
 HYDRO SIZE DUE TO EXCESSIVE COVER



PROPOSED ELEVATIONS:

TOP € ROAD= 100.00
 TOP HW= 98.66
 TOP ALBC= 95.41
 INV STREAM= 88.00
 INV ALBC= 87.00

DESCRIPTION

NCDOT JOHNSTON CO
 SR-1008 HARPER HOUSE RD
 SITE #122

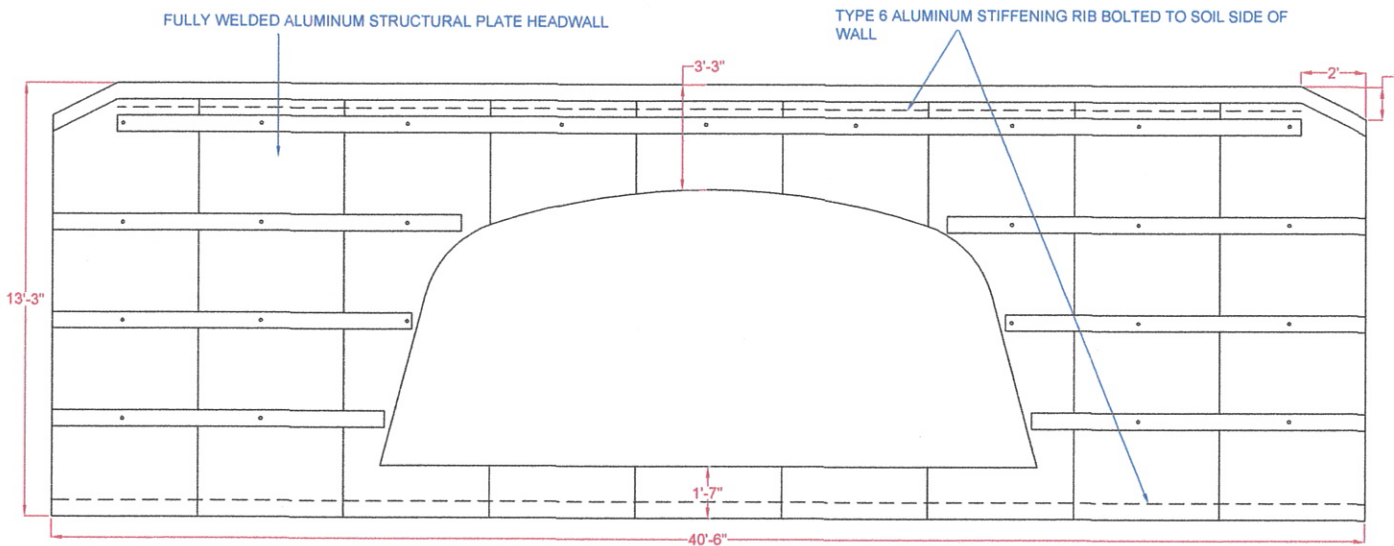
FIRM:

PROJECT:

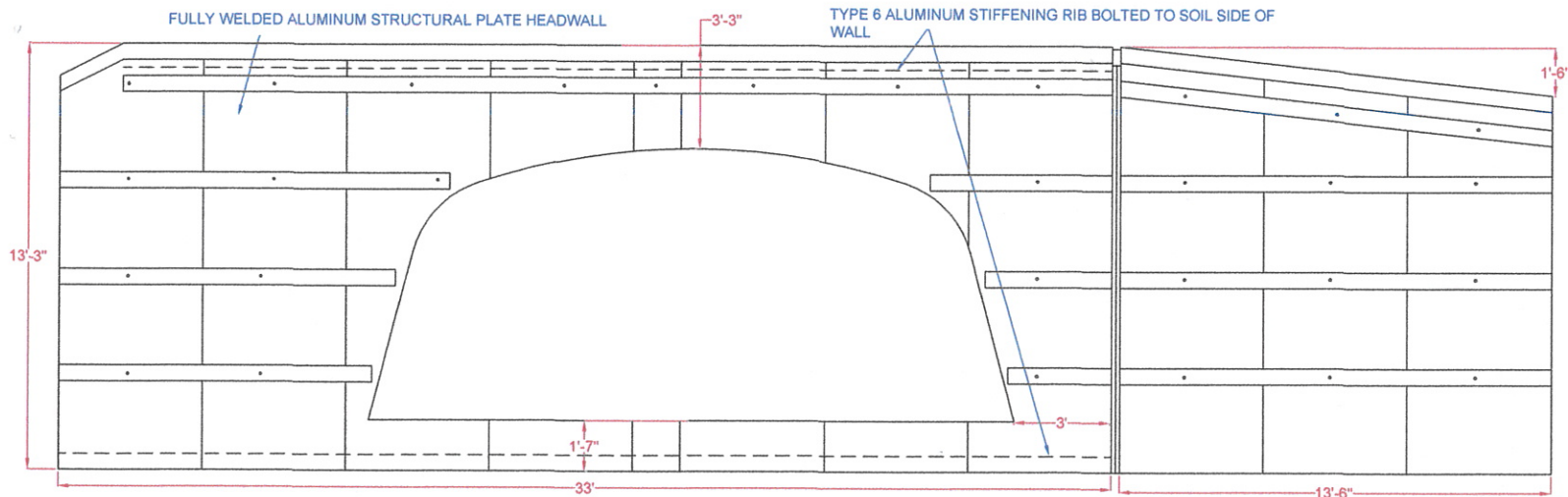
DATE:
 NOV 29, 2016

SHEET

NOT TO SCALE



END VIEW- INLET HEADWALL



END VIEW- OUTLET HEADWALL

DESCRIPTION

NCDOT JOHNSTON CO
 SR-1008 HARPER HOUSE RD
 SITE #122

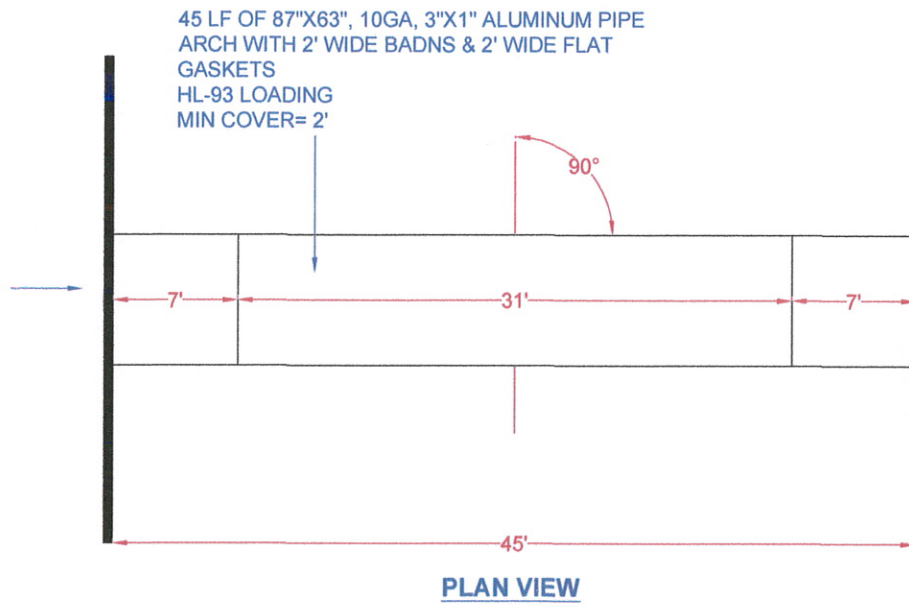
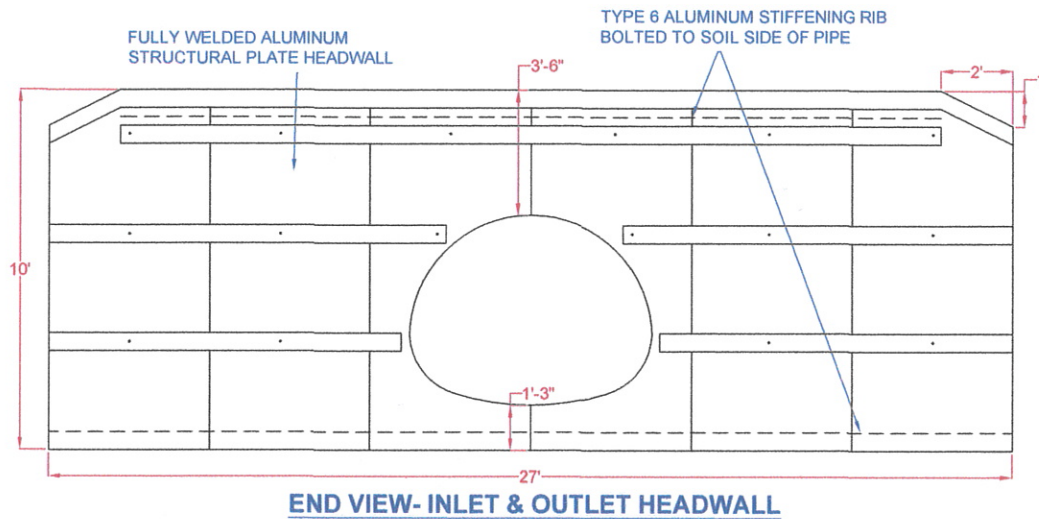
FIRM:

PROJECT:

DATE:
 NOV 29, 2016

SHEET

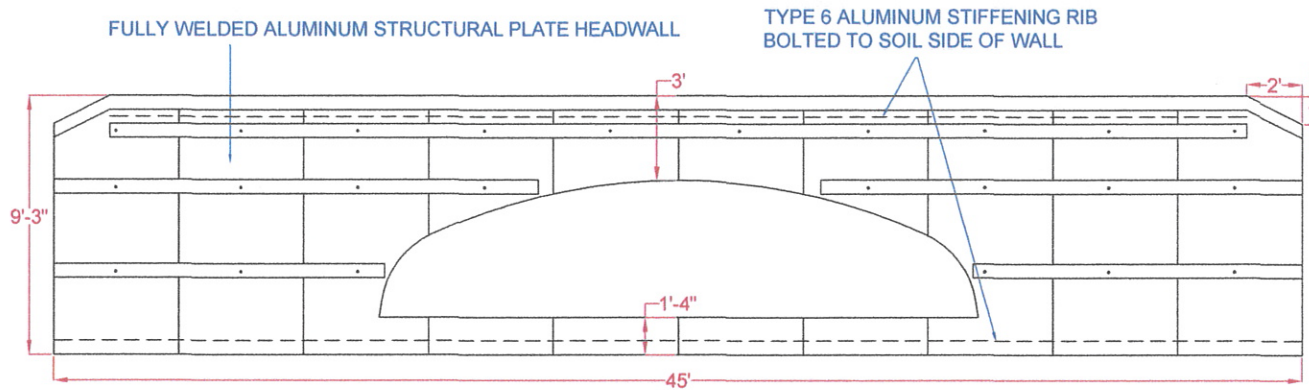
NOT TO SCALE



PROPOSED ELEVATIONS:

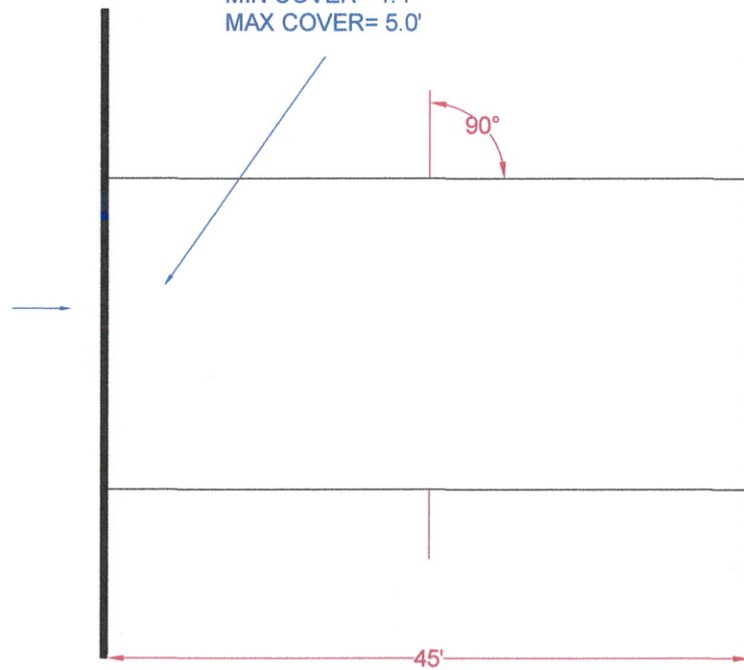
- EP OUTLET= 100.00
- EP INLET= 99.34
- TOP HW OUTLET= 98.75
- TOP HW INLET= 98.75
- TOP OF PIPE= 95.25
- INV STREAM= 91.00
- INV PIPE= 90.00

DESCRIPTION	
<p>NCDOT JOHNSTON CO SR-1009 DEVIL'S RACETRACK RD SITE #125</p>	
FIRM:	
PROJECT:	
DATE: NOV 29, 2016	SHEET
NOT TO SCALE	



END VIEW- INLET & OUTLET HEADWALL

45 LF- #61-L2 ALUMINUM BOX CULVERT
 WITH FULL INVERT 21'-7" SPAN X 4'-11" RISE
 HL-93 LOADING
 MIN COVER= 1.4'
 MAX COVER= 5.0'

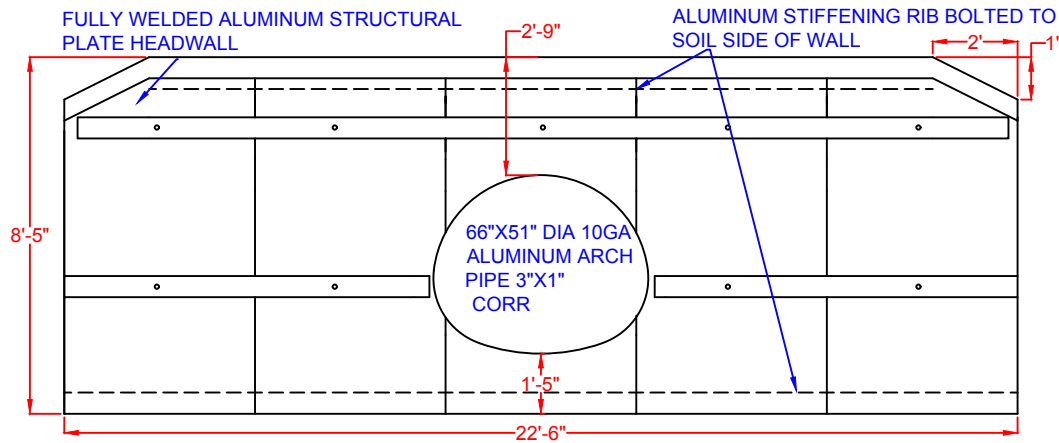


PLAN VIEW

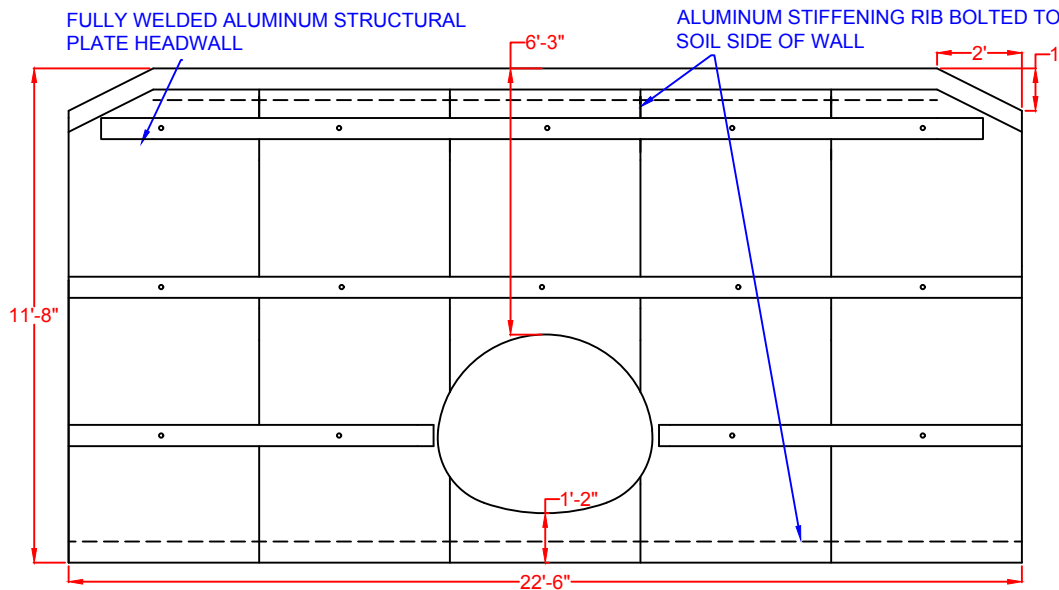
PROPOSED ELEVATIONS:

TOP ϵ ROAD= 100.00
 TOP HW= 98.91
 TOP PIPE= 95.91
 INV. STREAM= 92.00
 INV. PIPE= 91.00

DESCRIPTION	
NCDOT- JOHNSTON CO SR-1008 HARPER HOUSE RD SITE # 131	
FIRM:	
PROJECT:	
DATE: NOV 28, 2016	SHEET
NOT TO SCALE	



END VIEW- INLET HEADWALL



END VIEW- OUTLET HEADWALL

DESCRIPTION

NCDOT JOHNSTON CO
 SR 1330 SITE #155
 3733 POLENTA RD
 CLAYTON NC

FIRM:

PROJECT:

DATE:
 JULY 28, 2017

SHEET

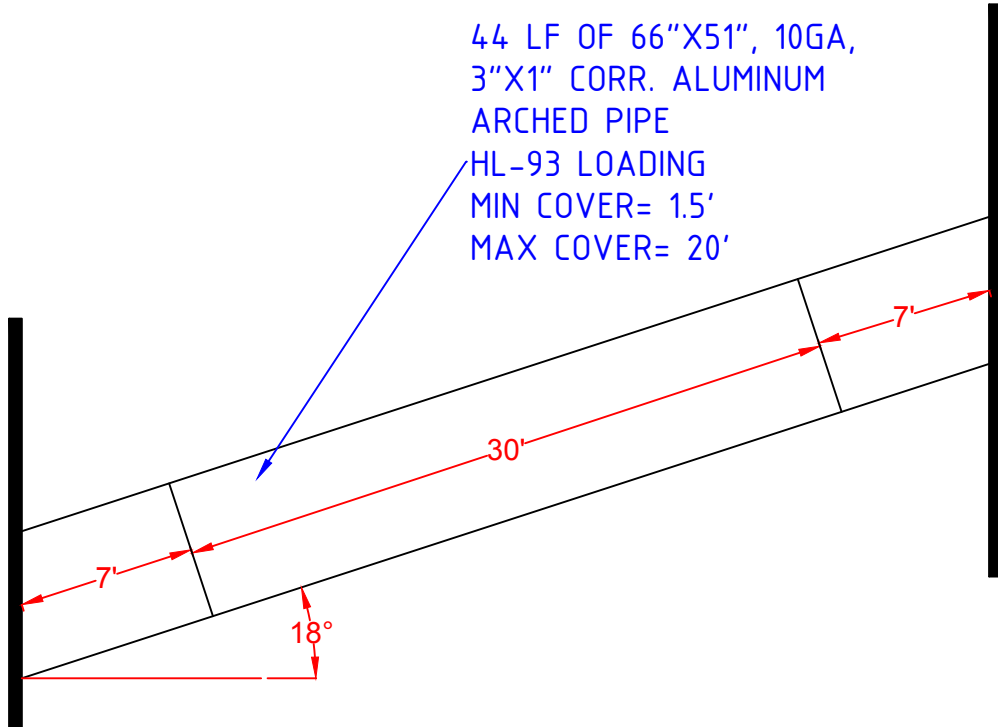
NOT TO SCALE

44 LF OF 66"X51", 10GA,
 3"X1" CORR. ALUMINUM
 ARCHED PIPE
 HL-93 LOADING
 MIN COVER= 1.5'
 MAX COVER= 20'

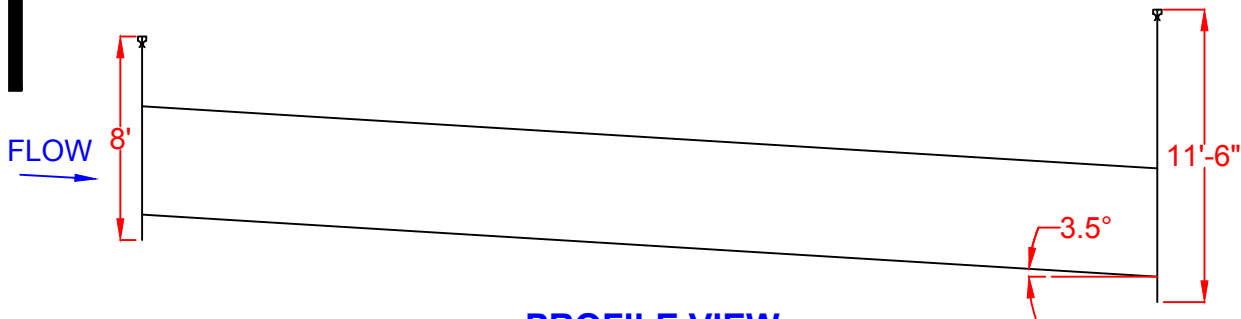
PROPOSED ELEVATIONS:

INLET
 INLET EP=99.00
 TOP OF HW= 98.00
 TOP OF PIPE= 95.25
 INV STREAM= 93.00
 INV OF PIPE= 91.00

OUTLET
 OUTLET EP= 100.00
 TOP OF HW= 99.00
 TOP OF PIPE= 92.75
 INV STREAM= 89.00
 INV PIPE= 88.50

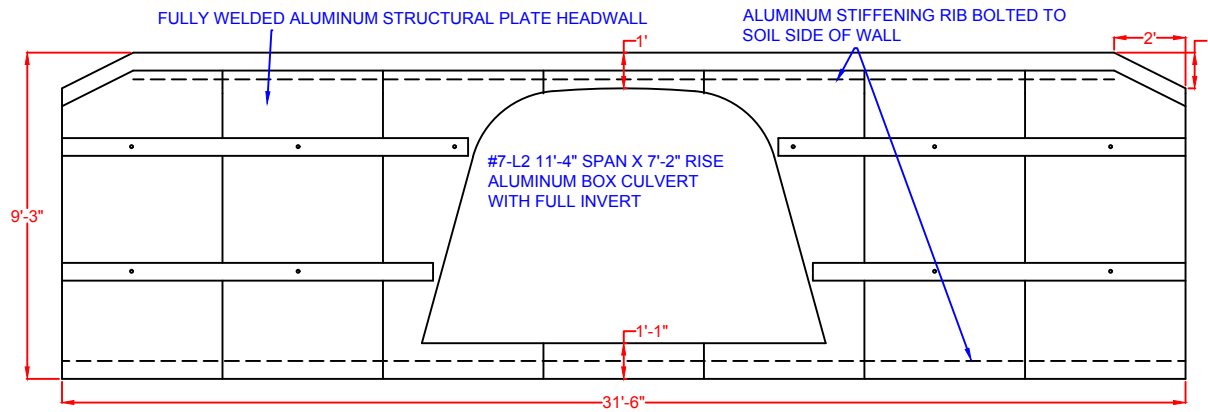


PLAN VIEW

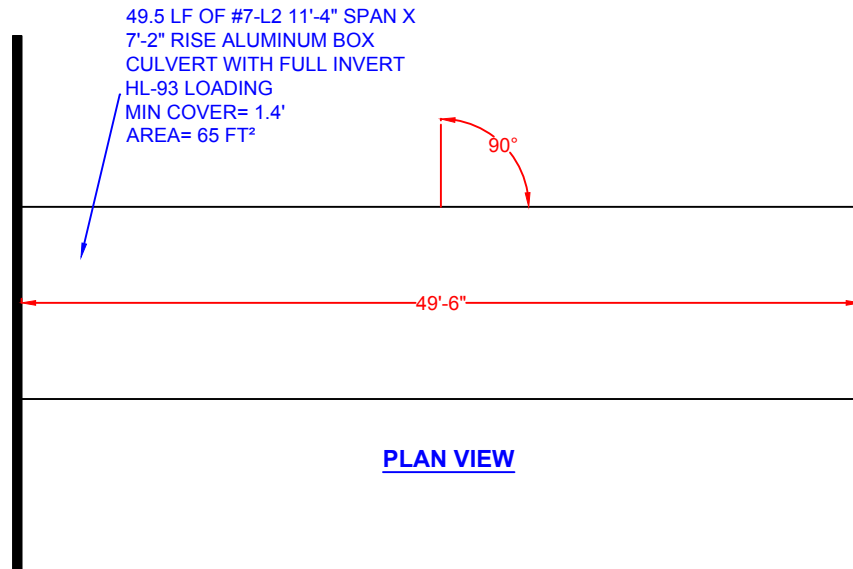


PROFILE VIEW

DESCRIPTION	
NCDOT JOHNSTON CO SR 1330 SIE #155 3733 POLENTA RD CLAYTON NC	
FIRM:	
PROJECT:	
DATE: JULY 28, 2017	SHEET
NOT TO SCALE	



END VIEW- INLET & OUTLET HEADWALL

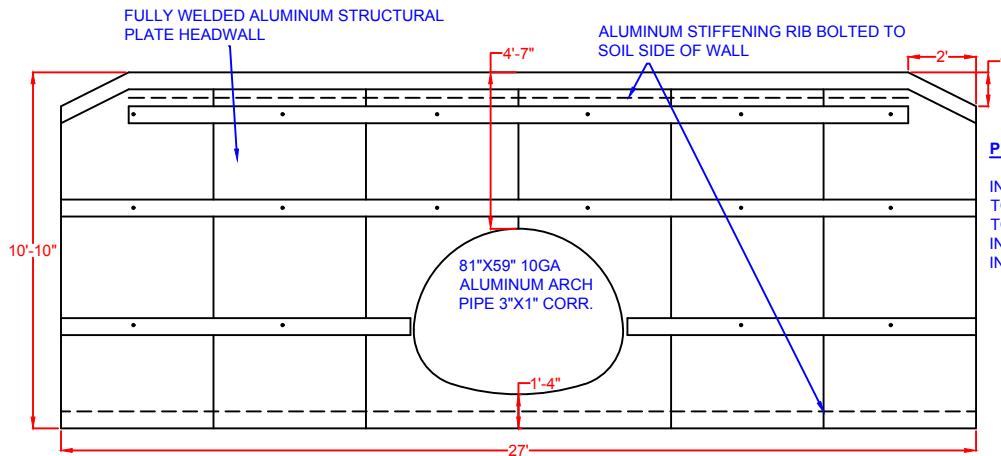


PLAN VIEW

PROPOSED ELEVATIONS:

€ ROAD= 100.00
 TOP OF WALL= 99.17
 TOP OF PIPE= 98.17
 INV OF STREAM= 92.00
 INV OF PIPE= 91.00

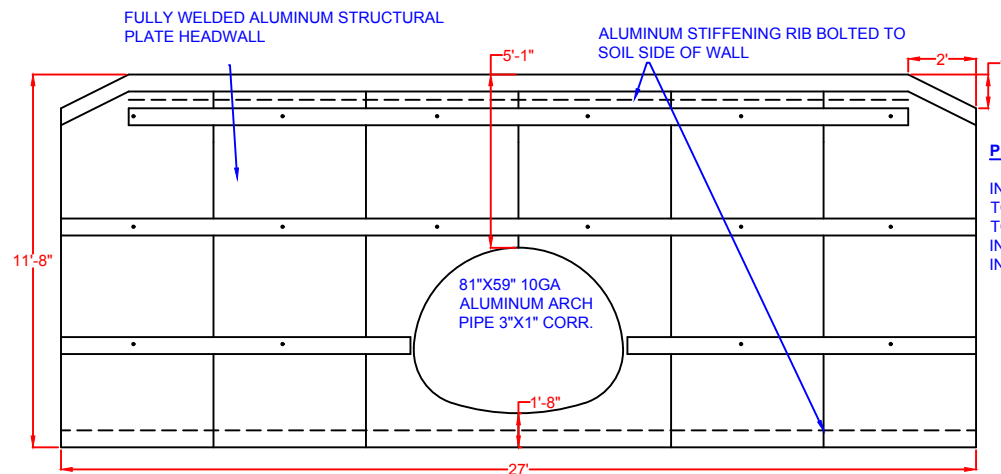
DESCRIPTION	
NCDOT JOHNSTON CO 420 POLENTA RD SR 1330 SMITHFIELD SITE # 174	
FIRM:	
PROJECT:	
DATE: JULY 28, 2017	SHEET
NOT TO SCALE	



END VIEW- INLET HEADWALL

PROPOSED ELEVATIONS:

INLET EP= 100.00
 TOP OF WALL= 99.00
 TOP OF PIPE= 94.42
 INV OF STREAM= 91.50
 INV OF PIPE= 89.50



END VIEW- OUTLET HEADWALL

PROPOSED ELEVATIONS:

INLET EP= 100.00
 TOP OF WALL= 98.00
 TOP OF PIPE= 93.92
 INV OF STREAM= 89.5
 INV OF PIPE= 89.00

DESCRIPTION

NCDOT JOHNSTON CO
 3140 POLENTA RD SITE 205
 CLAYTON NC

FIRM:

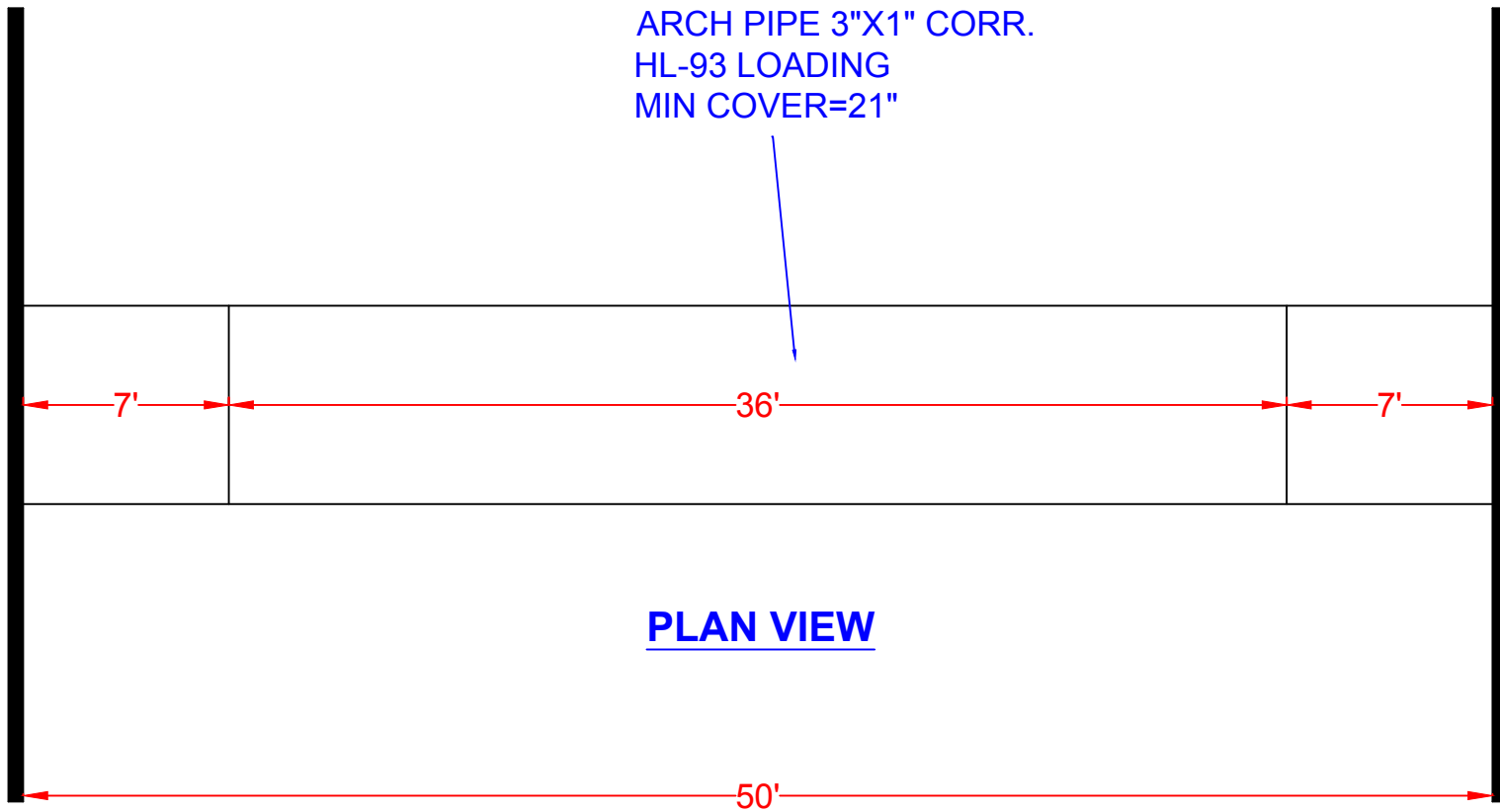
PROJECT:

DATE:
 JULY 28 2017

SHEET

NOT TO SCALE

50 LF OF 81" X 59" DIA 10GA ALUMINUM
ARCH PIPE 3"X1" CORR.
HL-93 LOADING
MIN COVER=21"



PLAN VIEW

DESCRIPTION

NCDOT JOHNSTON CO
3140 POLENTA RD SITE 205
CLAYTON NC

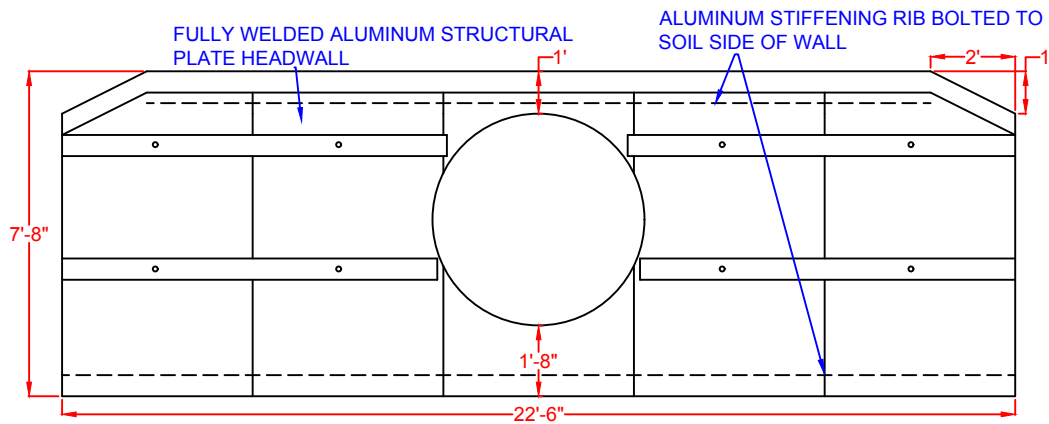
FIRM:

PROJECT:

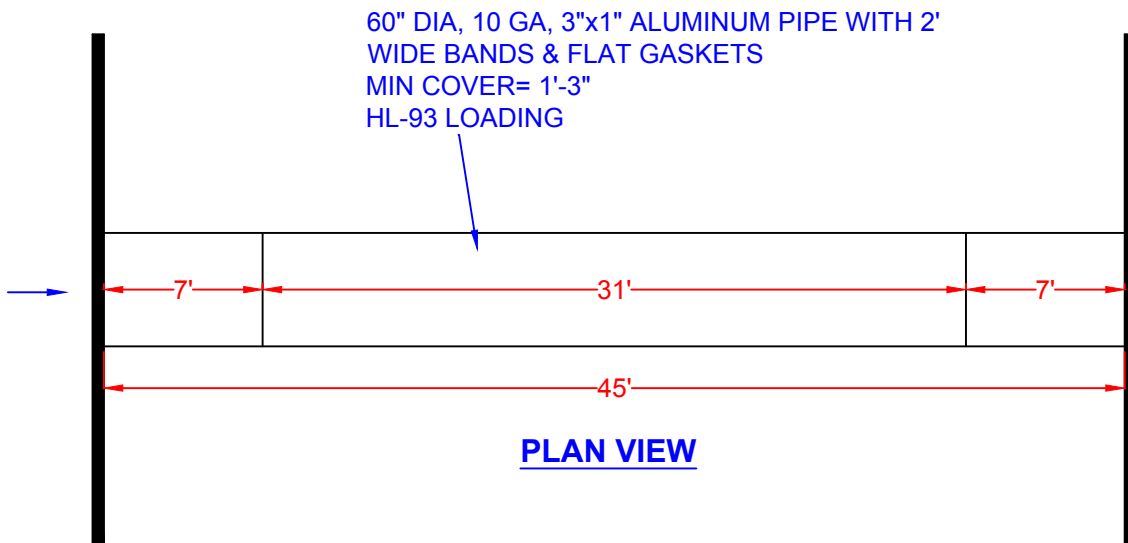
DATE:
JULY 28, 2017

SHEET

NOT TO SCALE



END VIEW- INLET & OUTLET HEADWALL

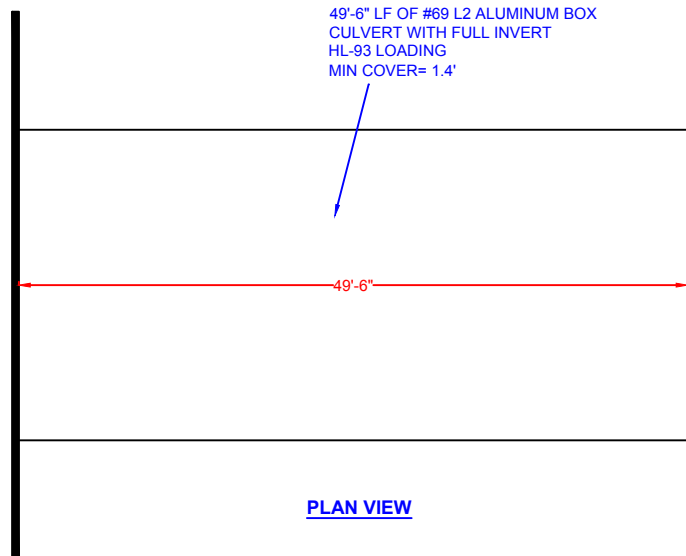
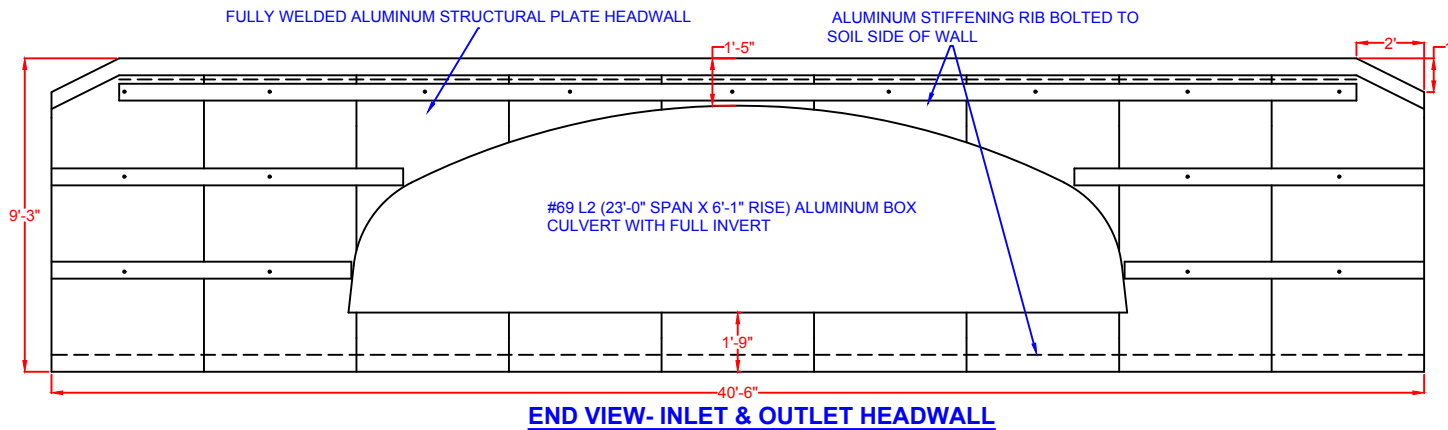


PLAN VIEW

PROPOSED ELEVATIONS:

TOP ϵ ROAD= 100.00
 TOP OF HW= 99.00
 TOP OF PIPE= 98.00
 INV OF STREAM= 94.00
 INV OF PIPE= 93.00

DESCRIPTION	
NCDOT JOHNSTON CO 391 WINSTON RD CLAYTON, NC SITE #209	
FIRM:	
PROJECT:	
DATE: JULY 28, 2017	SHEET
NOT TO SCALE	



PROPOSED ELEVATIONS:

€ ROAD= 100.00
 TOP OF WALL= 99.00
 TOP OF PIPE= 97.58
 INV OF STREAM= 92.50
 INV OF PIPE= 91.50

DESCRIPTION	
NCDOT JOHNSTON CO SR 2518 RED HOUSE RD SITE 230	
FIRM:	
PROJECT:	
DATE: JULY 28, 2017	SHEET
NOT TO SCALE	